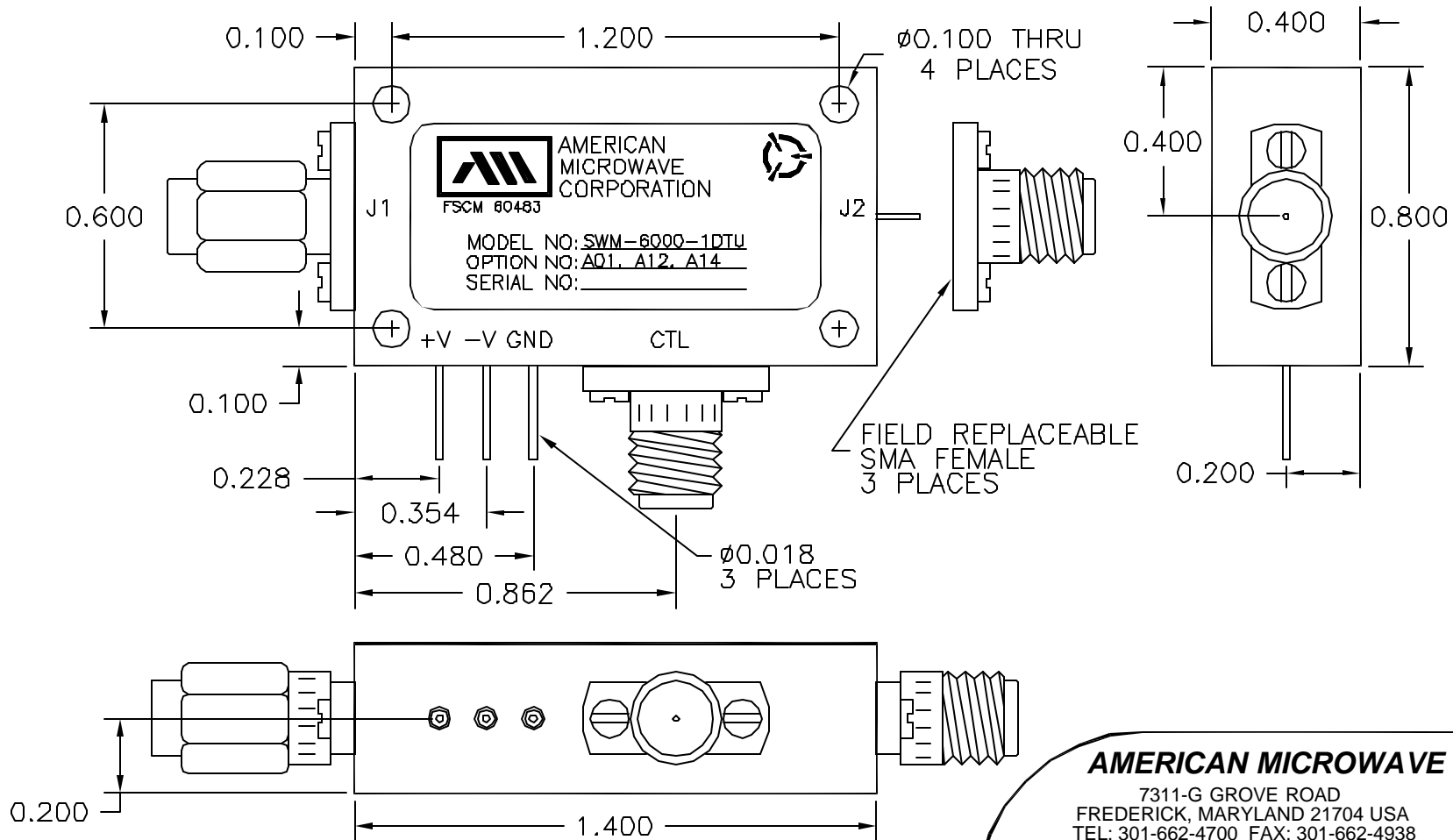


## DESCRIPTION

AMC MODEL SWM-6000-1DTU OPTION: A01, A12, A14 IS A DC TO 6 GHz, ABSORPTIVE/NON-REFLECTIVE, SINGLE POLE SINGLE THROW SWITCH MODULE HAVING A CONTROL IMPEDANCE OF 50 OHMS, A SMA FEMALE CONTROL CONNECTOR AND A MALE INPUT, FEMALE OUTPUT CONNECTOR.

REVISIONS				
ZONE	REV.	DESCRIPTION	DATE	APPROVED
	-	ORIGINAL RELEASE JOB# 601006X-2	8/10/06	

## MECHANICAL OUTLINE



ALL DIMENSIONS ARE IN INCHES  
TOLERANCES:  
X.XX ±0.020  
X.XXX ±0.010

## AMERICAN MICROWAVE CORPORATION

7311-G GROVE ROAD  
FREDERICK, MARYLAND 21704 USA  
TEL: 301-662-4700 FAX: 301-662-4938  
WEBSITE: [www.americanmicrowavecorp.com](http://www.americanmicrowavecorp.com)  
E-MAIL: [sales@americanmicrowavecorp.com](mailto:sales@americanmicrowavecorp.com)  
ISO 9001:2000 CERTIFIED



APPROVALS		DATE	TITLE		
DRAWN	<i>FDS</i>	8/10/06	MECHANICAL OUTLINE SWM-6000-1DTU OPTION: A01, A12, A14 DC-6 GHz, SINGLE POLE SINGLE THROW SWITCH		
CHECKED			SIZE	FSCM NO.	DWG NO.
ISSUED			A	60483	100-7622
			SCALE	N:S	SHEET 2 OF 3

## DESCRIPTION

AMC MODEL SWM-6000-1DTU OPTION: A01, A12, A14 IS A DC TO 6 GHz, ABSORPTIVE/NON-REFLECTIVE, SINGLE POLE SINGLE THROW SWITCH MODULE HAVING A CONTROL IMPEDANCE OF 50 OHMS, A SMA FEMALE CONTROL CONNECTOR AND A MALE INPUT, FEMALE OUTPUT CONNECTOR.

## SPECIFICATIONS

- FREQUENCY RANGE: ..... DC TO 6.0 GHz
- INSERTION LOSS: ..... 3.5 dB MAXIMUM
- ISOLATION: ..... 50 dB MINIMUM
- VSWR: ..... 1.5:1 MAXIMUM
- RISE TIME: ..... 5 nSec MAXIMUM
- FALL TIME: ..... 5 nSec MAXIMUM
- DELAY ON: ..... 15 nSec MAXIMUM
- DELAY OFF: ..... 15 nSec MAXIMUM
- RF POWER RATINGS:
  - DC-2.0 GHz: ..... +22 dBm MAXIMUM
  - 2.0-6.0 GHz: ..... +26 dBm MAXIMUM
- CONTROL: ..... TTL COMPATIBLE, UNITY LOAD,
  - LOGIC "0" = ISOLATION
  - LOGIC "1" = INSERTION LOSS
- VOLTAGE TRANSIENTS: ..... 50 mV P-P, 100 MHz BANDWIDTH
- POWER SUPPLY: ..... +5VDC  $\pm$ 5% @ 40 mA MAXIMUM  
 ..... -5VDC  $\pm$ 5% @ 40 mA MAXIMUM
- CONNECTORS:
  - RF INPUT: ..... FIELD REPLACEABLE SMA MALE
  - RF OUTPUT: ..... FIELD REPLACEABLE SMA FEMALE
  - POWER: ..... SOLDER PIN
  - CONTROL: ..... FIELD REPLACEABLE SMA FEMALE
- SIZE: ..... 1.40" (L) x 0.80" (W) x 0.40" (H)

## OPTIONS:

- A01: ..... 50 OHM CONTROL IMPEDANCE
- A12: ..... SMA FEMALE CONTROL CONNECTOR
- A14: ..... J1 SMA MALE, J2 SMA FEMALE

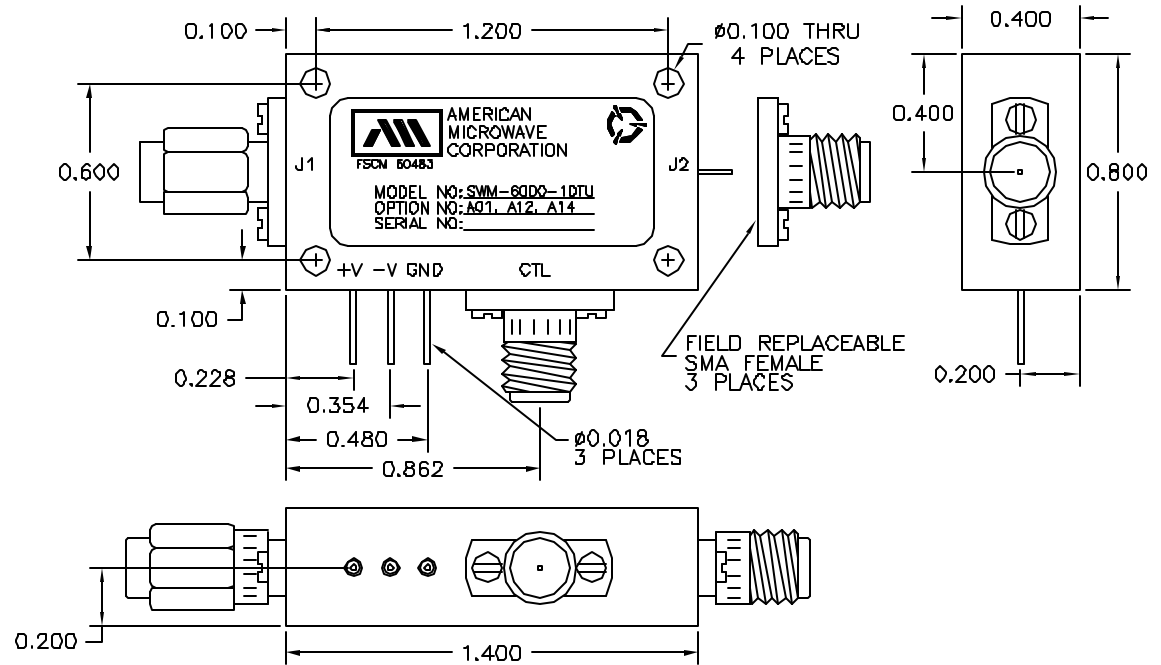
## ENVIRONMENTAL RATINGS:

- TEMPERATURE: ..... -55°C TO +95°C (OPERATING)  
 ..... -65°C TO +125°C (STORAGE)
- HUMIDITY: ..... MIL-STD-202F, METHOD 103B COND. B
- SHOCK: ..... MIL-STD-202F, METHOD 213B COND. B
- VIBRATION: ..... MIL-STD-202F, METHOD 204D COND. B
- ALTITUDE: ..... MIL-STD-202F, METHOD 105C COND. B
- TEMPERATURE CYCLE: ..... MIL-STD-202F, METHOD 107D COND. A

NOTE: SPECIFICATIONS WILL VARY OVER OPERATING TEMPERATURE.  
 NOTE: THE ABOVE SPECIFICATIONS ARE SUBJECT TO CHANGE OR REVISION

ALL DIMENSIONS ARE IN INCHES  
 TOLERANCES:  
 XXX  $\pm$ 0.020  
 XXXX  $\pm$ 0.010

REVISIONS				
ZONE	REV.	DESCRIPTION	DATE	APPROVED
	-	ORIGINAL RELEASE JOB# 601006X-2	8/10/06	



## AMERICAN MICROWAVE CORPORATION

7311-G GROVE ROAD  
 FREDERICK, MARYLAND 21704 USA  
 TEL: 301-662-4700 FAX: 301-662-4938  
 WEBSITE: [www.americanmicrowavecorp.com](http://www.americanmicrowavecorp.com)  
 E-MAIL: [sales@americanmicrowavecorp.com](mailto:sales@americanmicrowavecorp.com)  
 ISO 9001:2000 CERTIFIED

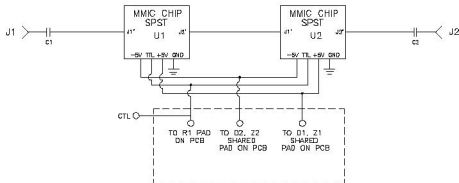


APPROVALS		DATE	TITLE		REV.
DRAWN	JDJ	8/10/06	PRODUCT FEATURE SWM-6000-1DTU OPTION: A01, A12, A14 DC-6 GHz, SINGLE POLE SINGLE THROW SWITCH		-
CHECKED			SIZE	FSCM NO.	DWG NO.
ISSUED			A	60483	100-7622
			SCALE	SHEET 1 OF 3	

**DESCRIPTION**

AMC MODEL SWM-6000-1DTU OPTION: A01, A12, A14 IS A DC TO 6 GHz,  
 ABSORPTIVE/NON-REFLECTIVE, SINGLE POLE SINGLE THROW SWITCH MODULE HAVING A  
 CONTROL IMPEDANCE OF 50 OHMS, A SMA FEMALE CONTROL CONNECTOR AND A MALE  
 INPUT, FEMALE OUTPUT CONNECTOR.

REV		DESCRIPTION	DATE	APPROVED
1	-	ORIGINAL RELEASE JOB# 601006X-2	4/10/88	

**AMERICAN MICROWAVE CORPORATION**

7311-G GROVE ROAD  
 FREDERICK, MARYLAND 21784 USA  
 TEL: 301-662-4700 FAX: 301-662-4938  
 WEBSITE: [www.americamicrowavecorp.com](http://www.americamicrowavecorp.com)  
 E-MAIL: [sales@americamicrowavecorp.com](mailto:sales@americamicrowavecorp.com)  
 ISO 9001:2000 CERTIFIED



APPROVALS		DATE	TITLE		REV
DESIGN	925	2/18/88	FUNCTIONAL SCHEMATIC SWM-6000-1DTU OPTION: A01, A12, A14 DC-6 GHz, SINGLE POLE SINGLE THROW SWITCH		
CHKD			A	60483	100-7622
ENGR			304	N/S	3 OF 3